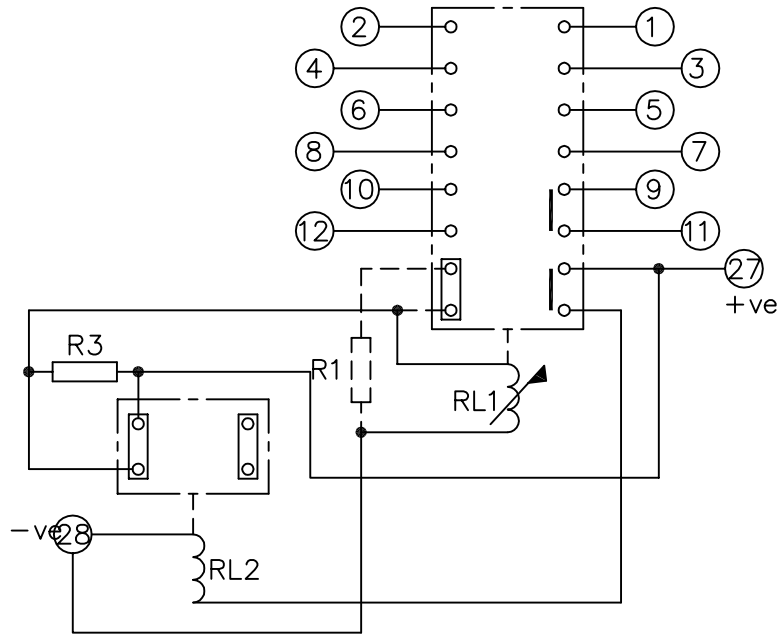


LOOKING ON FRONT OF RELAY



KEY	220&240	1x470R 2102C45471	1x6K8 2102C65682
	make contact	125	2x100R in series 2102C41101
break contact	50	1x390R 2102C35391	2x820R in parallel 2102C45821
c/o contact	30	NOT FITTED	2x68R in series 2102C45680
	24	NOT FITTED	2x180R in parallel 2102C45181
	VDC	R1	R3

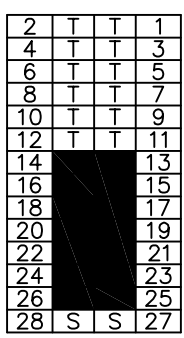
  

CONTACT CONFIG.	OUTPUT CONTACT PAIR / TERMINAL No.					
	1-3	2-4	5-7	6-8	9-11	10-12
6M	M	M	M	M	M	M
5M 1B	M	B	M	M	M	M
4M 2B	B	B	M	M	M	M
3M 3B	B	B	M	B	M	M
2M 4B	B	B	B	B	M	M
1M 5B	B	B	B	B	M	B

NOTE:  
 1. CONTACT CONFIGURATION ABOVE IS REQUIRED FOR RELAY OPERATION. FOR DETAILS OF VARIABLE CONTACT OPTIONS SEE TABLE OPPOSITE.  
 2. AREAS INDICATED THUS --- APPLY TO 50V, 125V AND 220/240V ONLY.

FRAME REFERENCE: E4FE02.  
 FRAME TERMINAL BLOCK ASSY: -

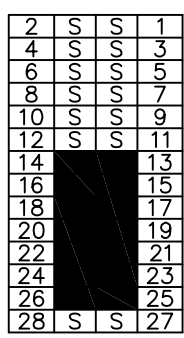
ASSEMBLY INSTRUCTIONS:-  
 TYPICAL ASSEMBLY DRAWING 2995G10032.  
 AT INDICATED POSITIONS FIT AS FOLLOWS:  
 T - FIT TRIP ISOLATION CONTACT 2995B10053  
 S - FIT STANDARD CONTACT 2995B10054  
 SECURE CONTACTS USING FIXING SCREW 2109F99009.  
 POSITIONS SHOWN BLANK ARE UNUSED



VIEW FROM NUMBERED SIDE OF BLOCK

OUTER TERMINAL BLOCK ASSY: -

ASSEMBLY INSTRUCTIONS:-  
 TYPICAL ASSEMBLY DRAWING 2995G10029.  
 AT INDICATED POSITIONS FIT AS FOLLOWS:  
 S - FIT STANDARD CONTACT 2995B10051  
 HC - FIT 'HEAVY CURRENT' KIT 2995G10030  
 WHERE IS SHOWN FIT CT SHORTING KIT 2995G10031  
 POSITIONS SHOWN BLANK ARE UNUSED.  
 ALL POSITIONS FIT SCREW 2106F12506.



VIEW FROM INSIDE FACE

			Title. T.B. AND WIRING DIAG. FOR TR212-6 RELAYS IN EPSILON E4 CASE.		First used on:	
					Similar Articles:	
					Supersedes:	
3 RDW 11/11/05 MN112/2744			Reyrolle Protection Hebburn.		Drg.No.	
2 10/07/00 MN112/257					2112W50009	
ISSUE	DATE	MOD.No.	Original Scale.			
DRAWN: A.LAW.		CHECKED:	APPROVED: R.D.WATSON	DATE: 16/07/02	Copyright © 1998 Reyrolle Ltd	